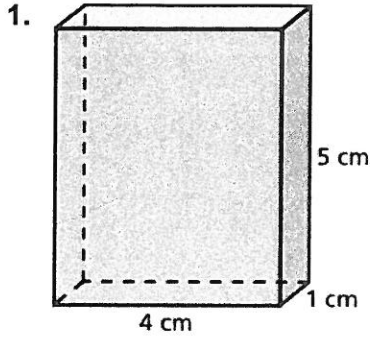


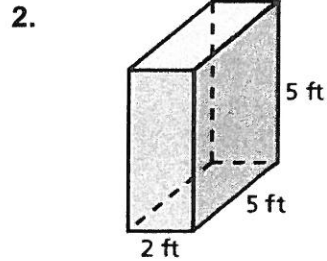
8.2

Practice A

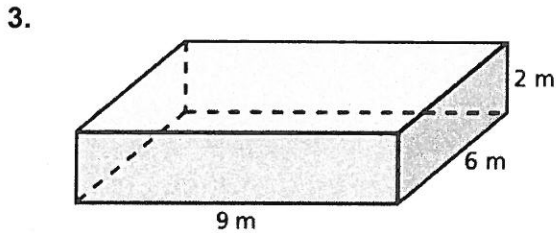
Find the area of the entire surface of the prism.



Front:
Back:
Left:
Right:
Top:
Bottom:



Front:
Back:
Left:
Right:
Top:
Bottom:



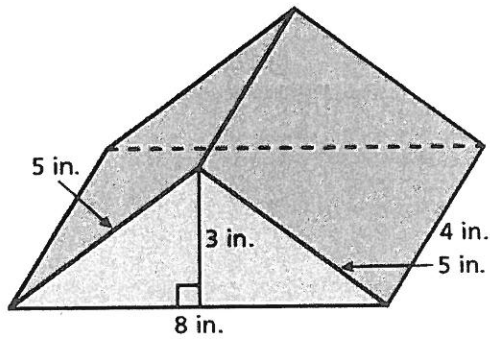
Front:
Back:
Left:
Right:
Top:
Bottom:

8.2

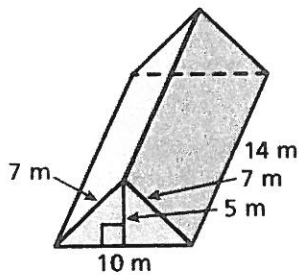
Practice A Surface area of Triangular Prisms

Draw a two-dimensional representation of the prism. Then find the area of the entire surface of the prism.

1.



2.



3.

